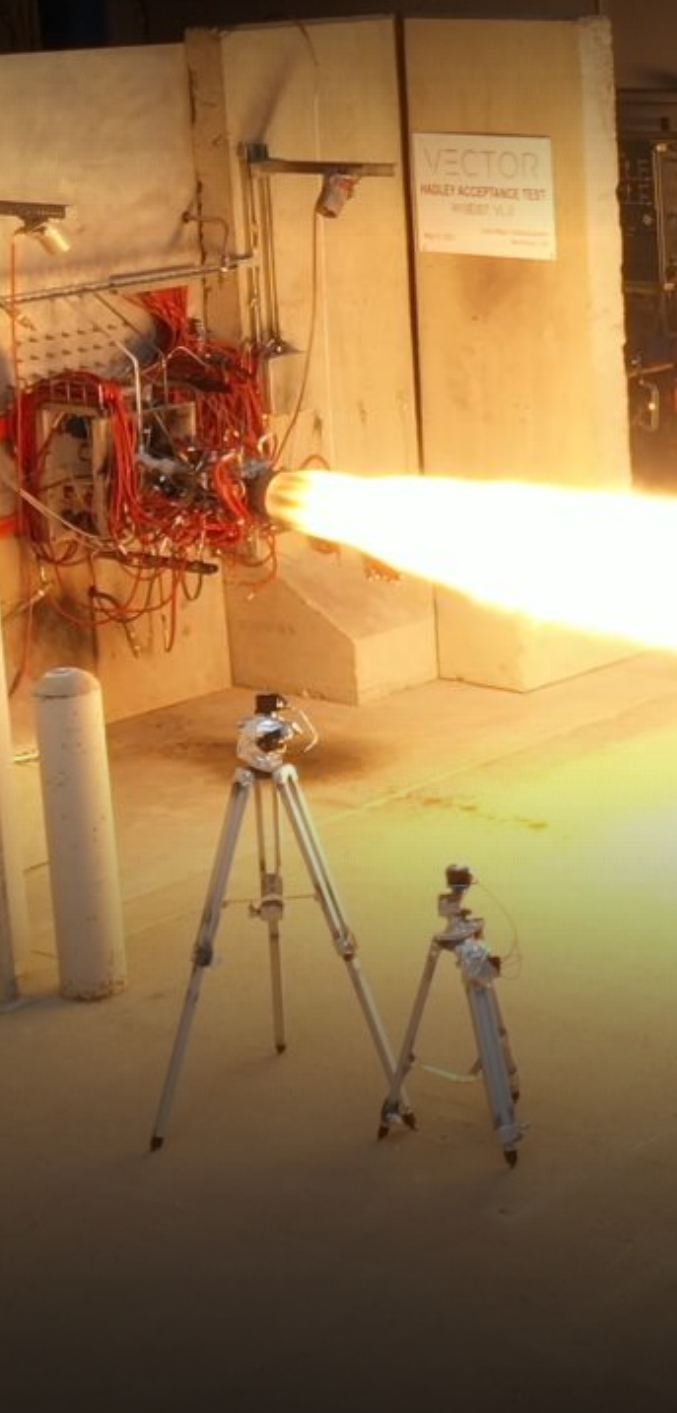
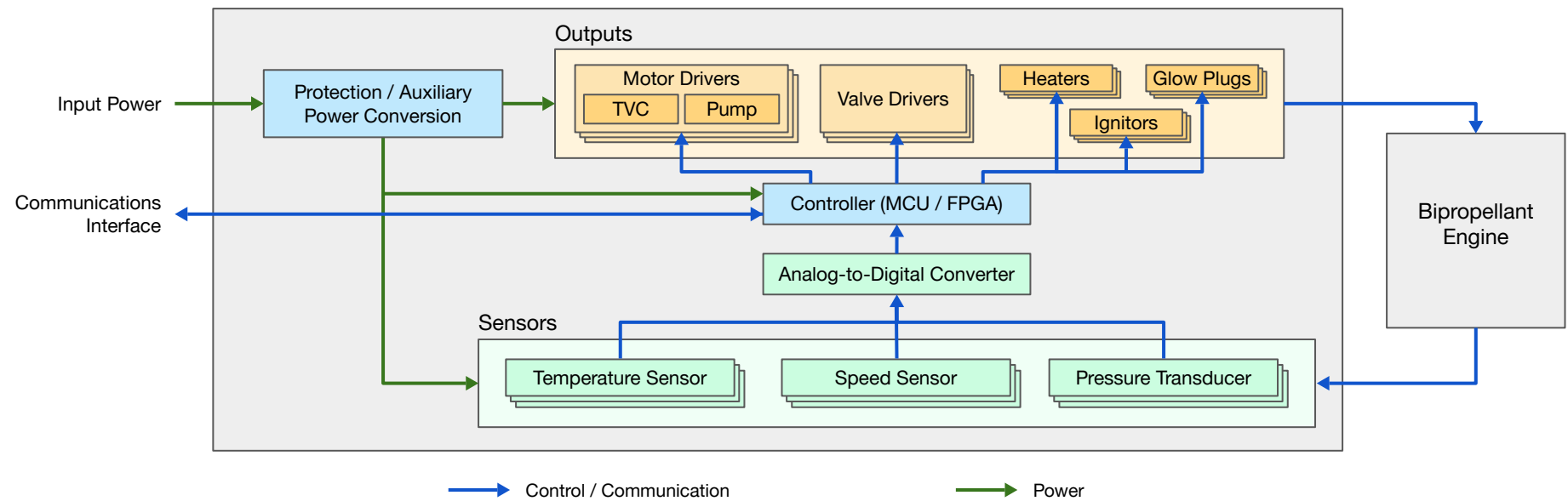


# Engine Control Unit



Engine Control Unit



Engine Control Unit

## General

Communications	RS-422	Up to 10Mbps
	Ethernet	Up to 100Mbps
Mass	<2.5kg w/ enclosure	~5.5lbs w/ enclosure
Input Voltage	28V Nominal	20V to 45V range

## Environments

Operating Temperature	-24°C to +71°C
Qualification	SMC-S-016
EMC	MIL-STD-461G
Radiation	30krad
Derating	EEE-INST-002

## Protections

Input	UVP, OVP
Output	OCP
Valve	Hit and Hold

## Inputs

Thermocouples		
Thermistor	QTY 12	Temperature Sensing
RTDs		
	QTY 12	Pressure Transducers
VRS		
Hall Effect	QTY 04	Speed Sensors

## Outputs

Thrust Vector Control		
Pumps	QTY 04	Motor Drivers
Valve Drivers	QTY 16	1.5A Peak, 0.5A Nominal
Heaters	QTY 16	10W
Glow Plugs	QTY 04	15A Short, 8A Throttle
Ignitors	QTY 4	10A Peak